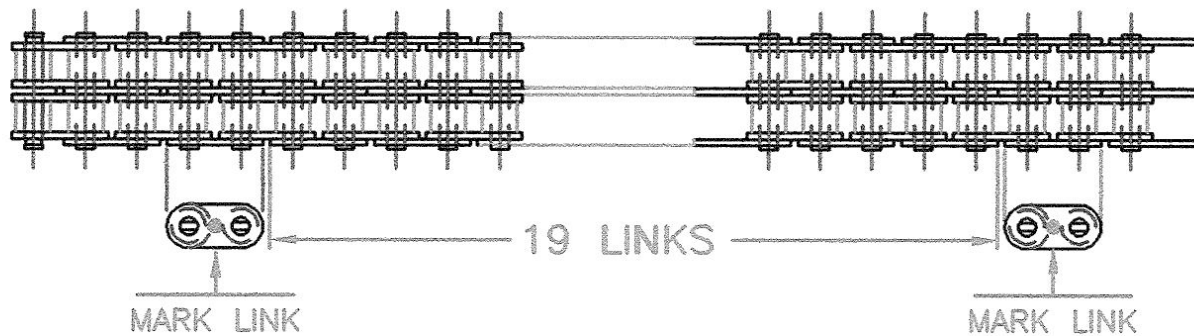


The enclosed chain may not have the timing links identified. To mark these links, lay chain flat and straight. Mark a side bar link. Then count 19 side bar links between and mark another side bar link as shown.



CHAIN # 3DR106D